

FOR MODEL:

625S

HYBRID STEPPER

Tempo
FITNESS

HYBRID STEPPER USER'S GUIDE

INTRODUCTION

CONGRATULATIONS and **THANK YOU** for your purchase of this Tempo Fitness hybrid stepper!

Whether your goal is to win races or simply enjoy a fuller, healthier lifestyle, a Tempo Fitness hybrid stepper can help you attain it – adding club-quality performance to your at-home workouts, with the ergonomics and innovative features you need to get stronger and healthier, faster. Because we're committed to designing fitness equipment from the inside out, we use only the highest quality components. It's a commitment we back with one of the strongest frame-to-brake warranty packages in the industry.

You want exercise equipment that offers the most comfort, the best reliability and the highest quality in its class.

Tempo Fitness hybrid steppers deliver.

TABLE OF CONTENTS

| | |
|--|-------------------|
| <i>Important Precautions</i> | 4 |
| <i>Assembly</i> | 5 |
| <i>Before You Begin</i> | 15 |
| <i>Stepper Operation</i> | 16 |
| <i>Conditioning Guidelines</i> | 21 |
| <i>Troubleshooting & Maintenance</i> | 27 |
| <i>Limited Warranty</i> | 31 |
| CONTACT INFORMATION | <i>Back Panel</i> |

IMPORTANT PRECAUTIONS

SAVE THESE INSTRUCTIONS

Read all instructions before using this stepper. When using an electrical product, basic precautions should always be followed, including the following: Read all instructions before using this stepper. It is the responsibility of the owner to ensure that all users of this stepper are adequately informed of all warnings and precautions. If you have any questions after reading this manual, contact Customer Tech Support at the number listed on the back panel of this manual.



To reduce the risk of burns, fire, electrical shock or injury to persons:

- If you experience any kind of pain, including, but not limited to chest pains, nausea, dizziness, or shortness of breath, stop exercising immediately and consult your physician before continuing.
- Maintain a comfortable pace.
- To maintain balance, it is recommended to keep a grip on the handlebars while exercising, mounting or dismounting the machine.
- Do not wear clothes that might catch on any part of the stepper.
- Do not turn pedals by hand.
- Make sure handlebars are secure before each use.
- Do not insert or drop any object into any opening.
- Unplug stepper before moving or cleaning it. To clean, wipe surfaces down with soap and slightly damp cloth only; never use solvents. (See MAINTENANCE)
- This stepper should not be used by persons weighing more than 250 pounds. Failure to comply will void the warranty.
- This stepper is intended for in-home use only. Do not use this stepper in any commercial, rental, school or institutional setting. Failure to comply will void the warranty.
- Do not use the stepper in any location that is not temperature controlled, such as, but not limited to garages, porches, pool rooms, bathrooms, car ports or outdoors. Failure to comply may void the warranty.
- Use the stepper only as described in this manual.
- Keep the pedals clean and dry.
- Care should be taken when mounting or dismounting the equipment.
- Disconnect all power before servicing the equipment.



At NO time should pets or children under the age of 12 be closer to the stepper than 10 feet.
At NO time should children under the age of 12 use the stepper.
Children over the age of 12 should not use the stepper without adult supervision.

It is essential that your stepper is used only indoors, in a climate controlled room. If your stepper has been exposed to colder temperatures or high moisture climates, it is strongly recommended that the stepper is warmed up to room temperature before first time use. Failure to do so may cause premature electronic failure.

ASSEMBLY

IMPORTANT: READ THESE SAFETY INSTRUCTIONS BEFORE USE!



There are several areas during the assembly process of a stepper that special attention must be paid. It is very important to follow the assembly instructions correctly and to make sure all parts are firmly tightened. If the assembly instructions are not followed correctly, the stepper could have frame parts that are not tightened and will seem loose and may cause irritating noises. To prevent damage to the stepper, the assembly instructions must be reviewed and corrective actions should be taken.

UNPACKING

Unpack the product where you will be using it. Place the product on a flat level surface. It is recommended that you place a protective covering on your floor. During each assembly step, ensure that ALL nuts and bolts are in place and partially threaded in before completely tightening any ONE bolt.

Note: A light application of grease may aid in the installation of hardware. Any grease, such as lithium bike grease is recommended.



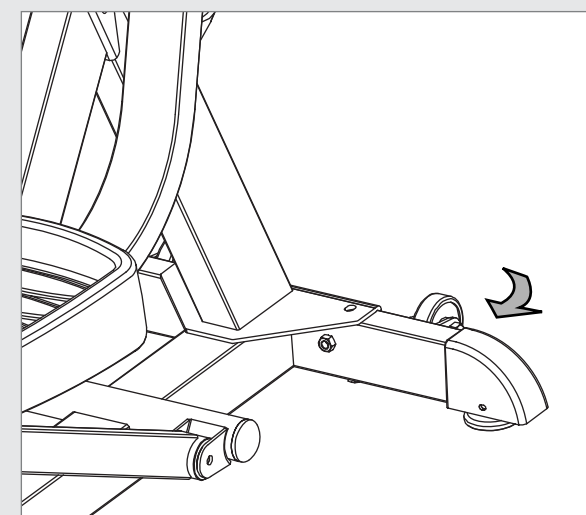
The stepper has several greased parts.
Lay a protective covering on the floor during unpacking and assembly.

Before proceeding, find your stepper's serial number located on the front stabilizer tube and enter it in the space provided below. Also locate the model name which is located on the front stabilizer tube.

ENTER YOUR SERIAL NUMBER AND MODEL NAME IN THE BOXES BELOW:

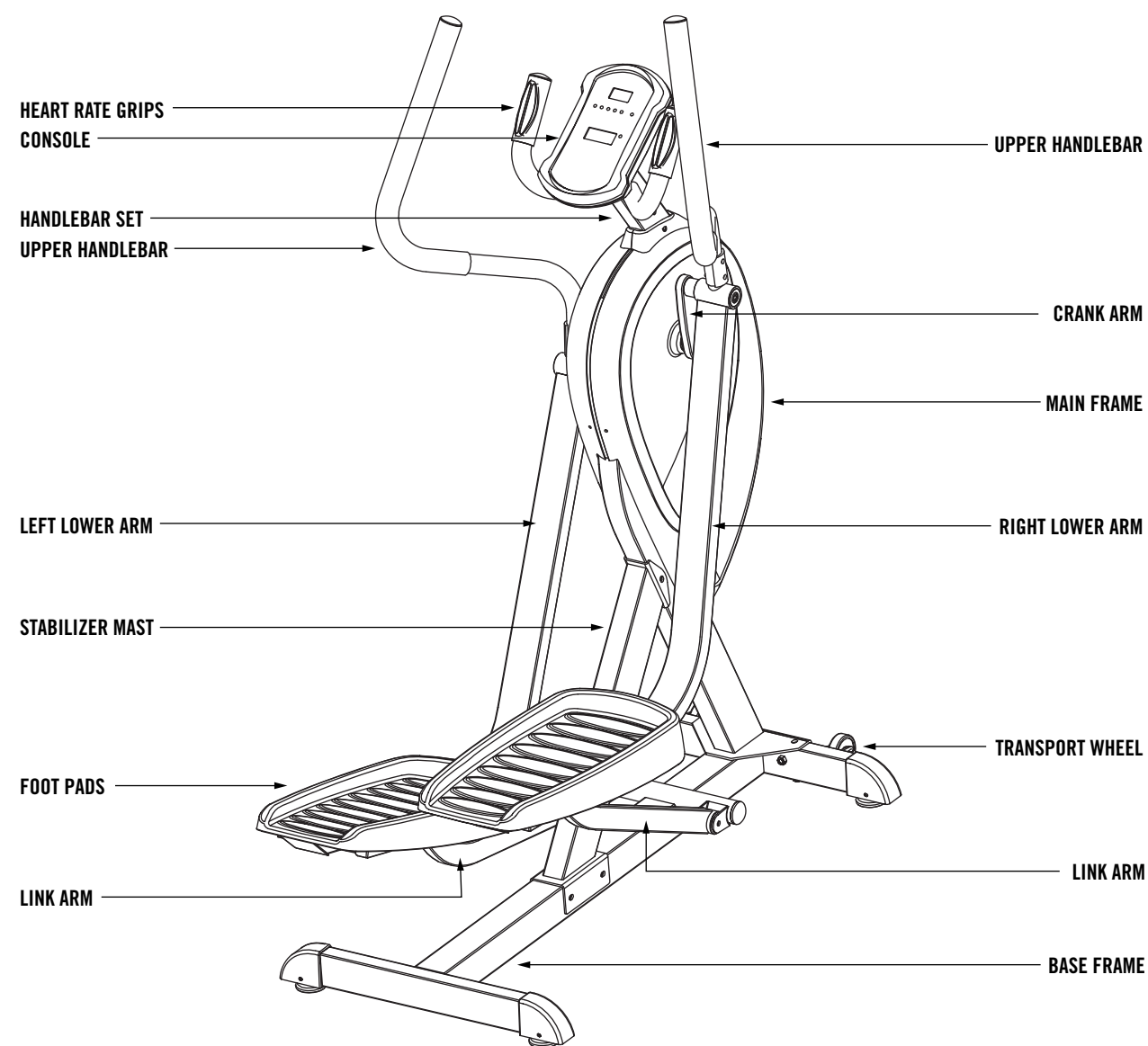
SERIAL NUMBER:

MODEL NAME:



- * Refer to the **SERIAL NUMBER** and **MODEL NAME** when calling for service.
- * Also enter this serial number on your Warranty Card.

DIAGRAM AND PARTS LIST



TOOLS INCLUDED

- Phillips Screwdriver
- 3mm L Wrench
- 5mm T Wrench
- 13/15mm Flat Wrench

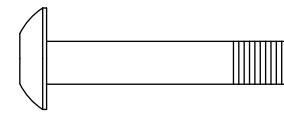
PARTS INCLUDED

- 1 Base Frame
- 1 Stabilizer Mast
- 1 Main Frame
- 1 Left Lower Arm
- 1 Right Lower Arm
- 2 Foot Pads
- 2 Upper Handlebars
- 1 Console
- 1 Handlebar Set
- 2 Link Arms
- 1 AC Adaptor Cable
- 8 Hardware Bags

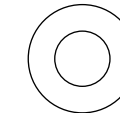
If you have questions or if there are any missing parts, contact Customer Tech Support.
Contact information is located on the back panel of this manual.

ASSEMBLY STEP 1

HARDWARE BAG 1 CONTENTS:



BOLT (A)
75 mm
Qty: 2



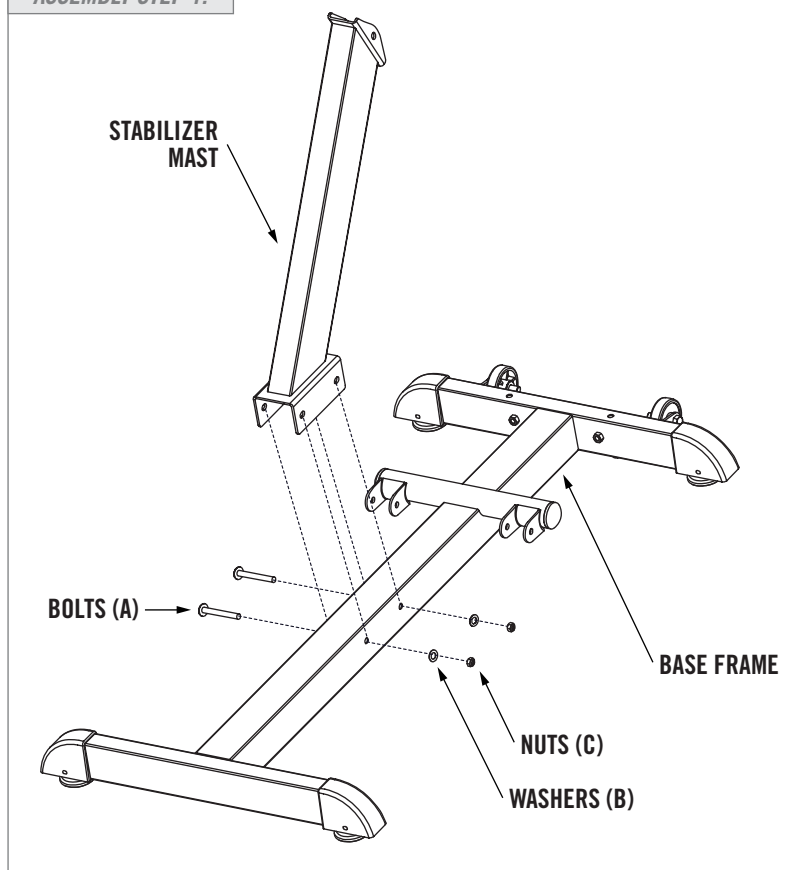
WASHER (B)
16 mm
Qty: 2



NUT (C)
8 mm
Qty: 2

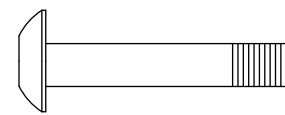
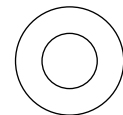
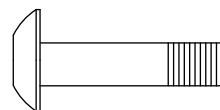
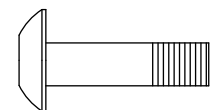
- A** Open **HARDWARE BAG 1**.
- B** Attach the **STABILIZER MAST** to the **BASE FRAME** using 2 **BOLTS (A)**, 2 **WASHERS (B)** and 2 **NUTS (C)** as shown in illustration.

ASSEMBLY STEP 1:

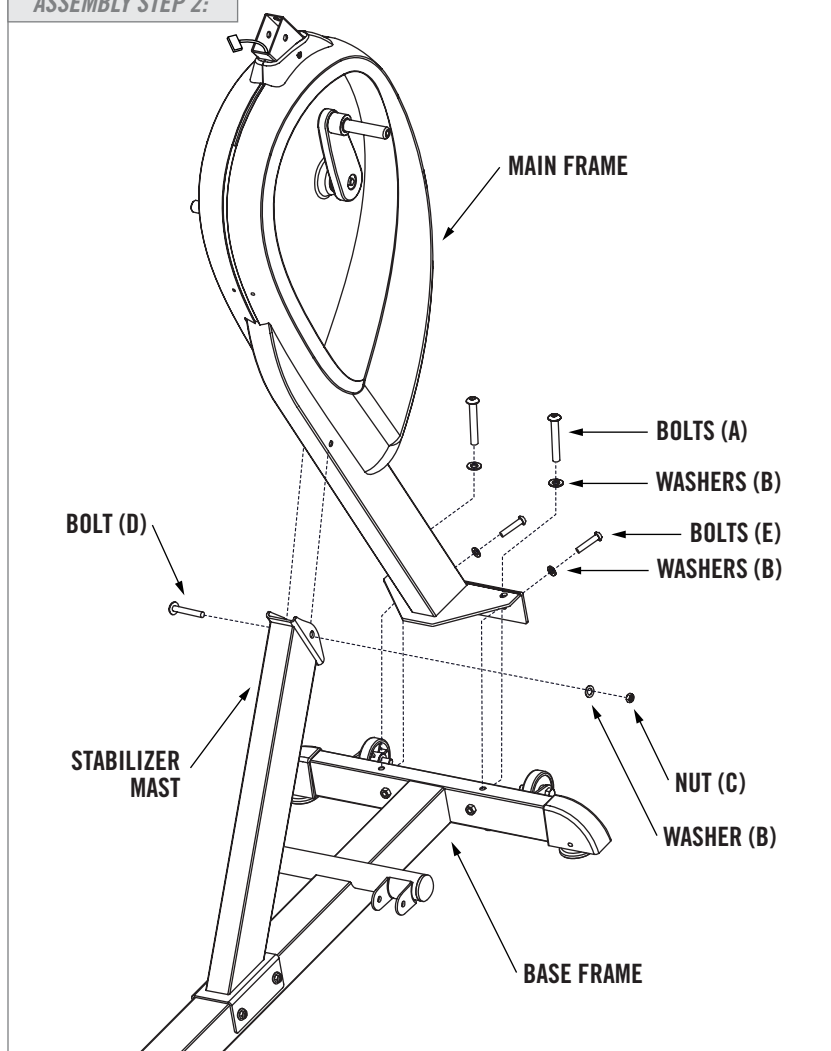


ASSEMBLY STEP 2

HARDWARE BAG 2 CONTENTS:

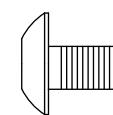
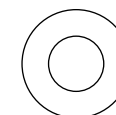
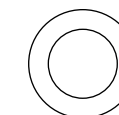
**BOLT (A)**
75 mm
Qty: 2**WASHER (B)**
16 mm
Qty: 5**NUT (C)**
8 mm
Qty: 1**BOLT (D)**
55 mm
Qty: 1**BOLT (E)**
45 mm
Qty: 2

ASSEMBLY STEP 2:

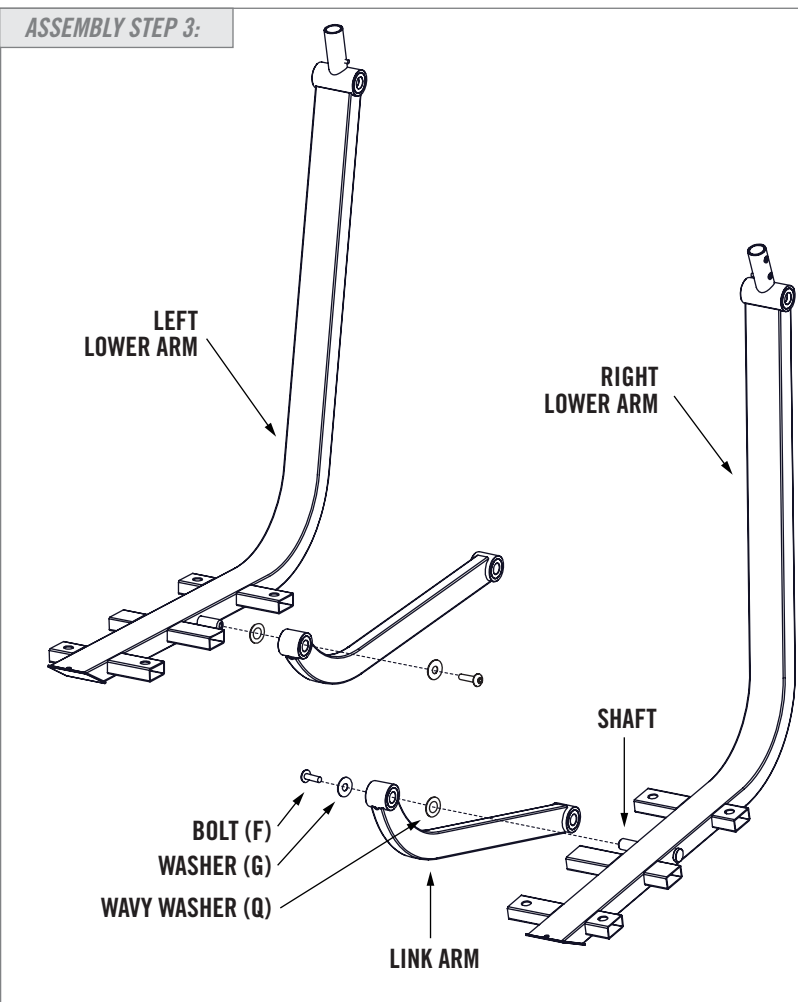
**A** Open **HARDWARE BAG 2**.**B** Attach the **MAIN FRAME** to the **BASE FRAME** using 2 **BOLTS (A)** and 2 **WASHERS (B)**. Secure the front of the bracket using 2 **BOLTS (E)** and 2 **WASHERS (B)**.**C** Attach the **MAIN FRAME** onto the **STABILIZER MAST** using 1 **BOLT (D)**, 1 **WASHER (B)** and 1 **NUT (C)** as shown in illustration.

ASSEMBLY STEP 3

HARDWARE BAG 3 CONTENTS:

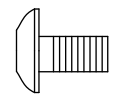
**BOLT (F)**
13 mm
Qty: 2**WASHER (G)**
30 mm
Qty: 2**WAVY WASHER (Q)**
22.5 mm
Qty: 2

ASSEMBLY STEP 3:

**A** Open **HARDWARE BAG 3**.**B** On the right side of the stepper, attach a **LINK ARM** to the **RIGHT LOWER ARM** using 1 **BOLT (F)**, 1 **WASHER (G)** and 1 **WAVY WASHER (Q)**, as shown in illustration.**NOTE:** The **LINK ARM** will attach to the **SHAFT** on the inside of the **RIGHT LOWER ARM**.**NOTE:** Make sure the **LINK ARM** is positioned below the **LOWER ARM**.**NOTE:** Make sure that the **WAVY WASHER (Q)** is used between the **RIGHT LOWER ARM** and the **LINK ARM**, and that thicker **WASHER (G)** is used between **BOLT (F)** and the **LINK ARM**.**C** Repeat on opposite side.

ASSEMBLY STEP 4

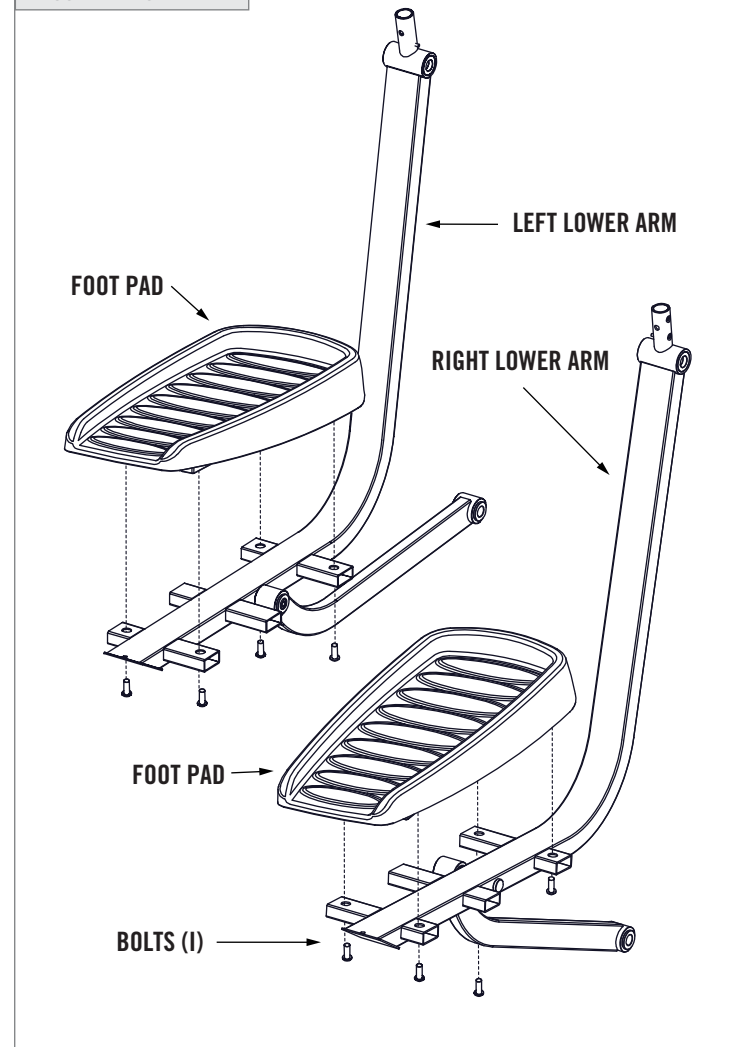
HARDWARE BAG 4 CONTENTS:



BOLT (I)
15 mm
Qty: 8

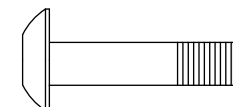
- A** Open **HARDWARE BAG 4**.
- B** Attach **FOOTPAD** to **RIGHT LOWER ARM** using 4 **BOLTS (I)**.
- C** Repeat on opposite side.

ASSEMBLY STEP 4:

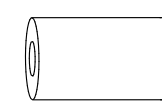


ASSEMBLY STEP 5

HARDWARE BAG 5 CONTENTS:



BOLT (L)
60 mm
Qty: 2



SPACER (J)
43.6 mm
Qty: 2



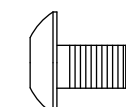
TEFLON WASHER (H)
28.4 mm
Qty: 4



WASHER (B)
16 mm
Qty: 2



NUT (C)
8 mm
Qty: 2

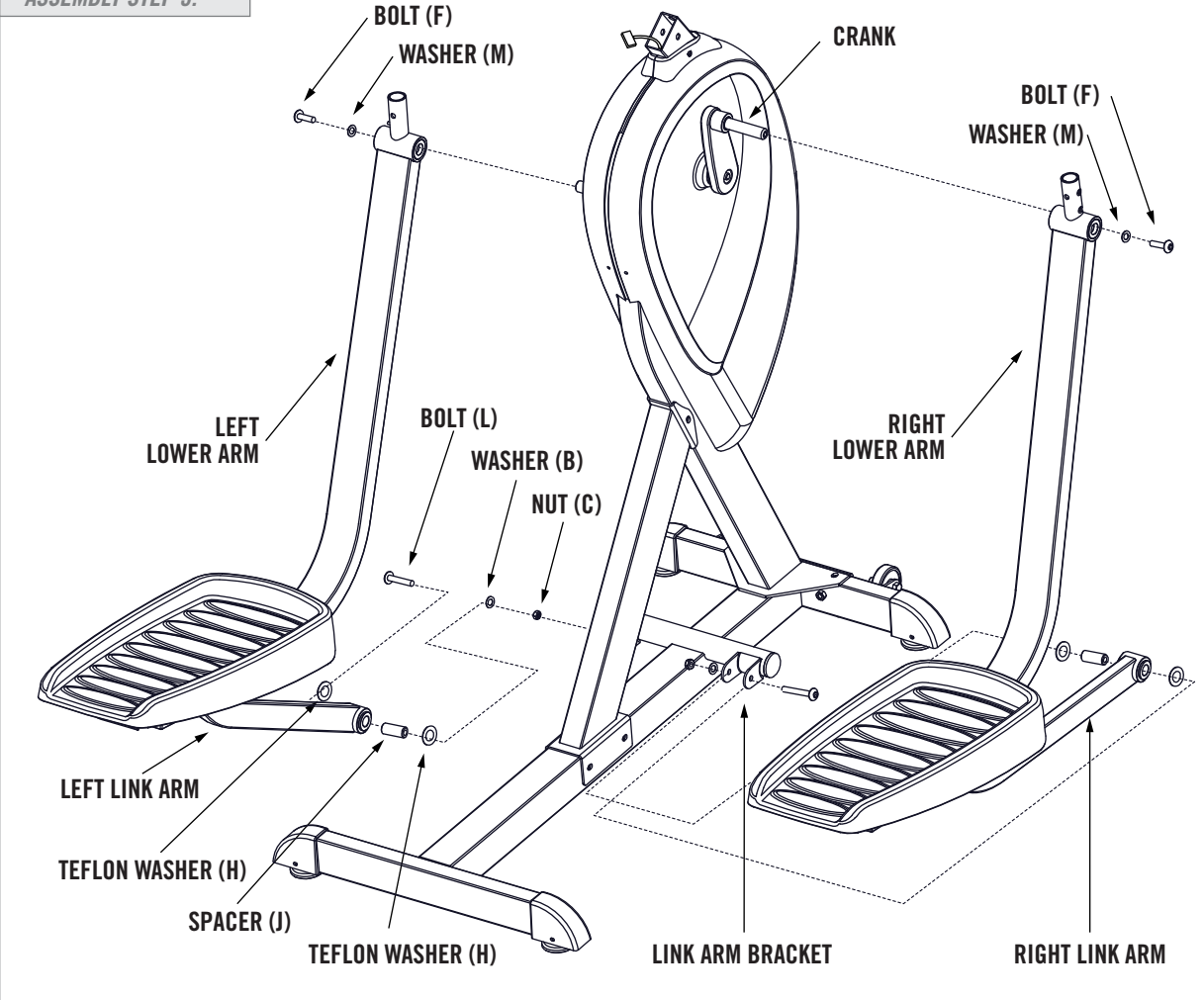


BOLT (F)
13 mm
Qty: 2



WASHER (M)
20 mm
Qty: 2

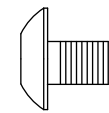
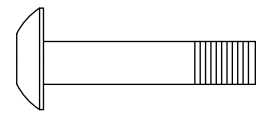
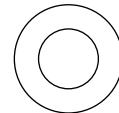
ASSEMBLY STEP 5:



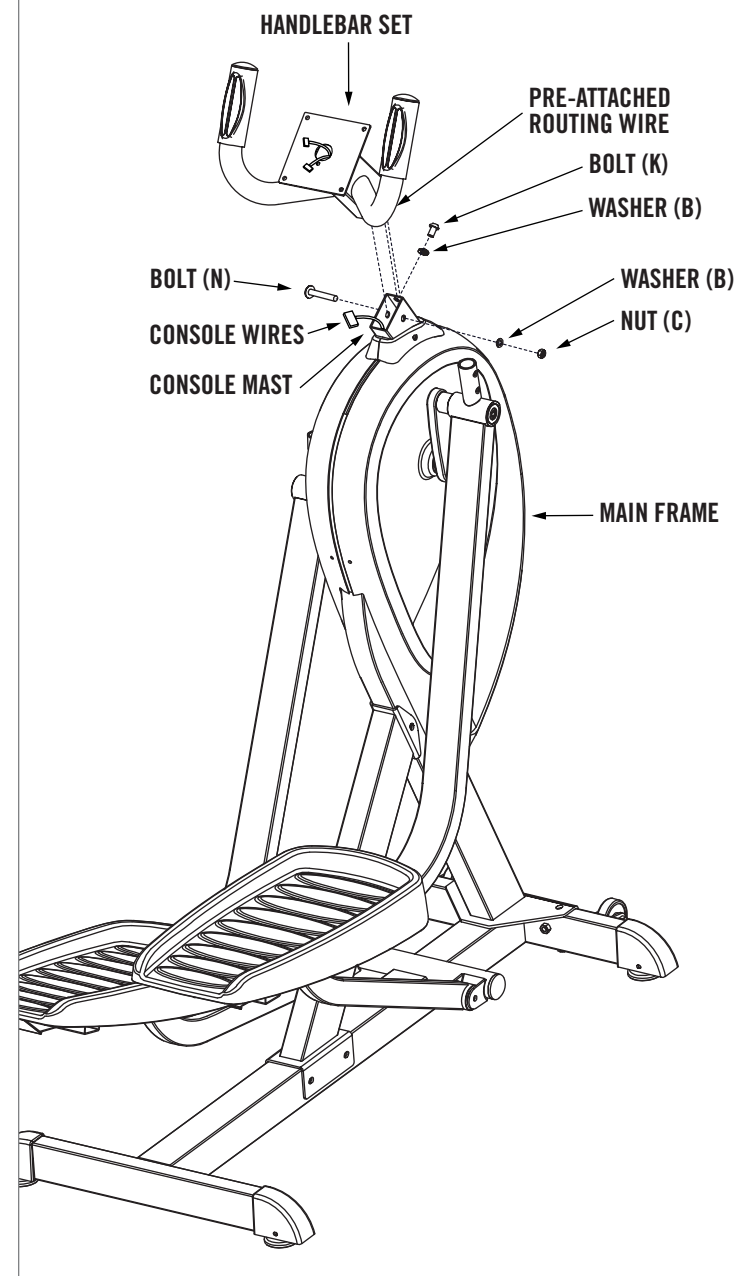
- A** Open **HARDWARE BAG 5**.
- B** Attach the **RIGHT LOWER ARM** to the **CRANK** using 1 **BOLT (F)**, and 1 **WASHER (M)** as shown in illustration.
NOTE: Make sure the left and right assembled arms are on the correct side of the stepper.
- C** Slide 1 **SPACER (J)** through the **RIGHT LINK ARM** and place 2 **TEFLON WASHERS (H)** on either side before placing in the **LINK ARM BRACKET**.
- D** On the right side of stepper, attach **LINK ARM** with **TEFLON WASHERS (H)** on both ends into the **LINK ARM BRACKET** on the **BASE FRAME** using 1 **BOLT (L)**, 1 **WASHER (B)** and 1 **NUT (C)**.
- E** Repeat on opposite side.

ASSEMBLY STEP 6

HARDWARE BAG 6 CONTENTS:

BOLT (K)
10 mm
Qty: 1BOLT (N)
40 mm
Qty: 1WASHER (B)
16 mm
Qty: 2NUT (C)
8 mm
Qty: 1

ASSEMBLY STEP 6:



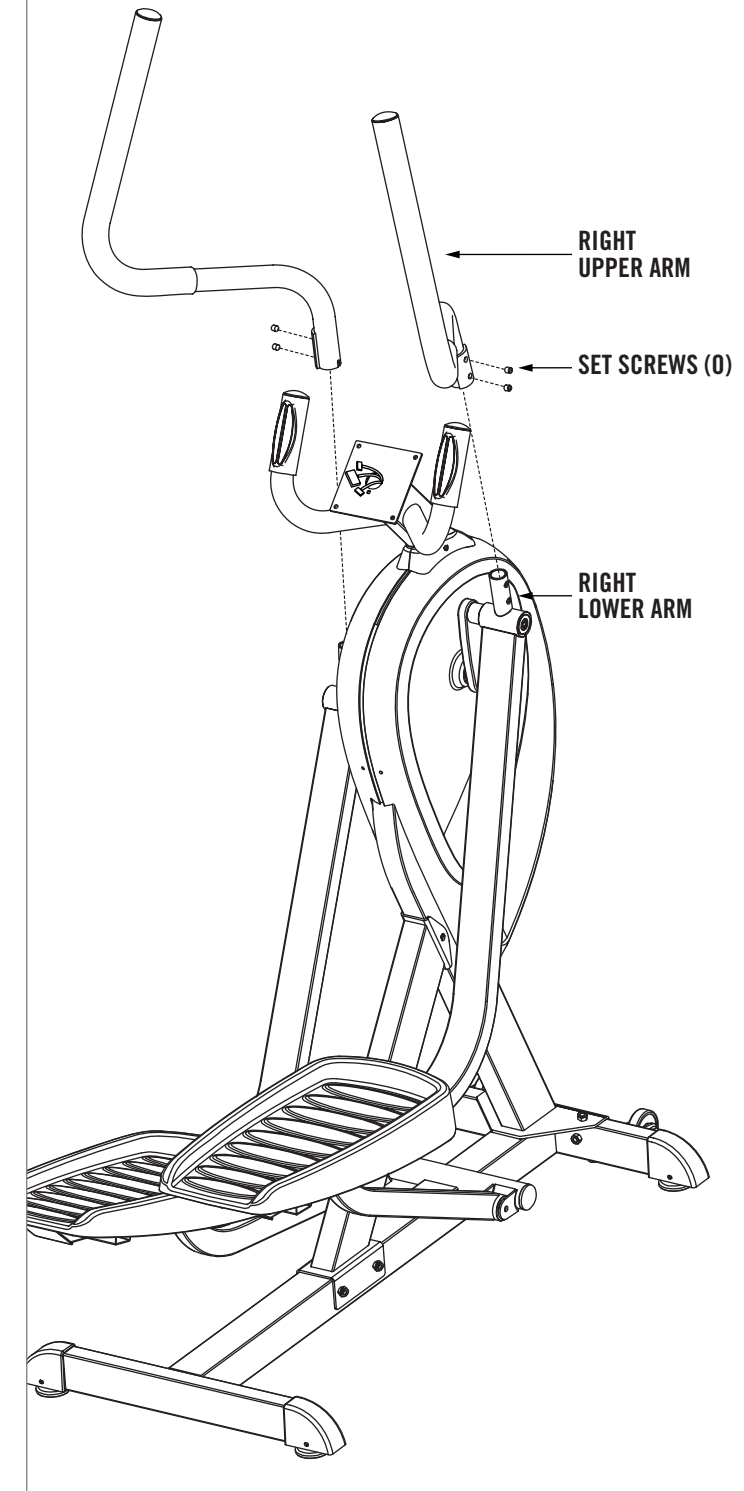
- A** Open **HARDWARE BAG 6**.
- B** Tie the **CONSOLE WIRES** to the **PRE-ATTACHED ROUTING WIRE**. Carefully pull **CONSOLE WIRES** through **HANDLEBAR SET**.
- C** Attach **HANDLEBAR SET** to top of **CONSOLE MAST** using 1 **BOLT (N)**, 1 **WASHER (B)** and 1 **NUT (C)**.
- D** Secure front of **HANDLEBAR SET** to **CONSOLE MAST** using 1 **BOLT (K)** and 1 **WASHER (B)**.
- NOTE:** Do not pinch wires.

ASSEMBLY STEP 7

HARDWARE BAG 7 CONTENTS:

SET SCREW (O)
12 mm
Qty: 4

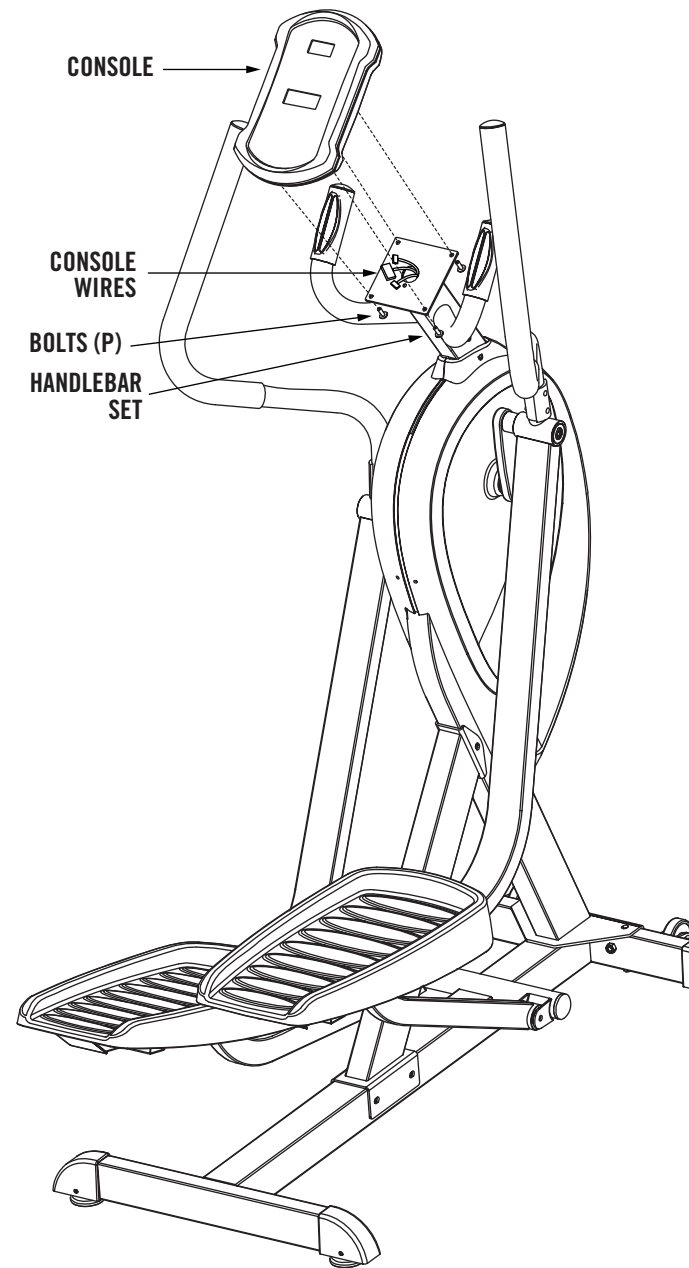
ASSEMBLY STEP 7:



- A** Open **HARDWARE BAG 7**.
- B** On right side of the stepper, attach **RIGHT UPPER ARM** to the **RIGHT LOWER ARM** using 2 **SET SCREWS (O)**, as shown in illustration.
- C** Repeat on opposite side.

ASSEMBLY STEP 8

ASSEMBLY STEP 8:



HARDWARE BAG 8 CONTENTS:



- A** Open **HARDWARE BAG 8**.
- B** Attach the **CONSOLE WIRES** to the back of the **CONSOLE**.
- C** Attach the **CONSOLE** to the **HANDLEBAR SET** using 4 **BOLTS (P)**.
- NOTE:** Do not pinch wires.

YOU'RE FINISHED!

BEFORE YOU BEGIN

CONGRATULATIONS on choosing your stepper. You've taken an important step in developing and sustaining an exercise program! Your stepper is a tremendously effective tool for achieving your personal fitness goals. Regular use of your stepper can improve the quality of your life in so many ways.

HERE ARE JUST A FEW OF THE HEALTH BENEFITS OF EXERCISE:

- Weight Loss
- A Healthier Heart
- Improved Muscle Tone
- Increased Daily Energy Levels

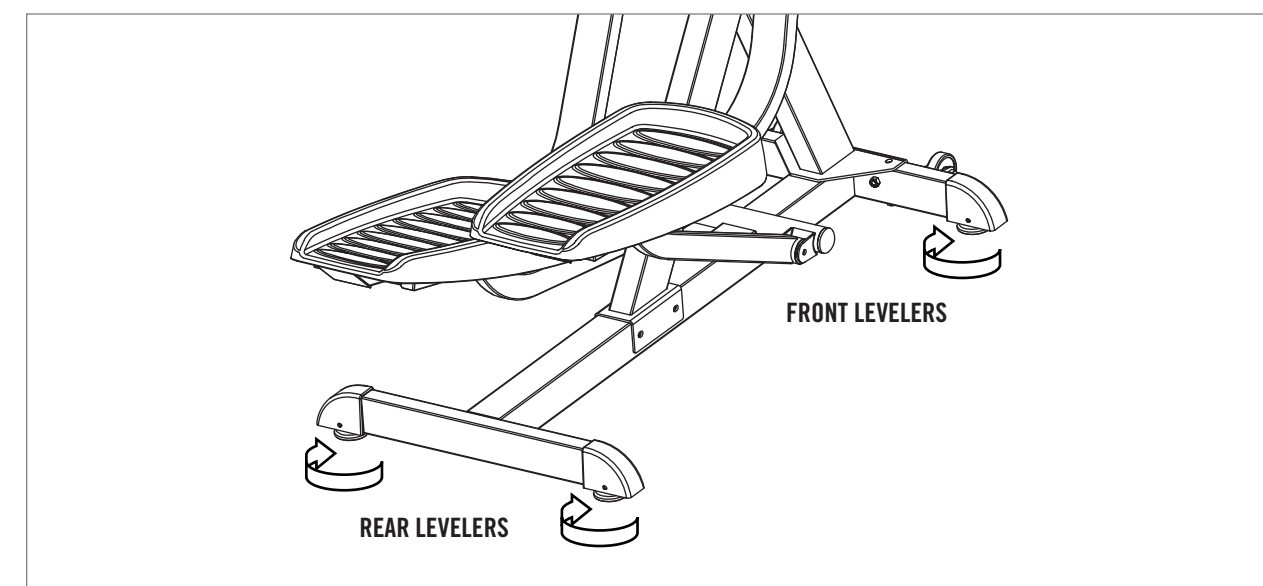
The key to reaping these benefits is to develop an exercise habit. Your new stepper will help you eliminate obstacles that prevent you from exercising. Inclement weather and darkness won't interfere with your workout when you use your stepper in the comfort of your home. This guide provides you with basic information for using and enjoying your new machine.

LOCATION OF THE STEPPER

Place the stepper on a level surface. Do not place the stepper in any area that will block any vent or air openings. The stepper should not be located in a garage, covered patio, near water or outdoors.

ADJUSTING LEVELERS

Adjust the 4 front and rear levelers so that the stepper is level on the floor.



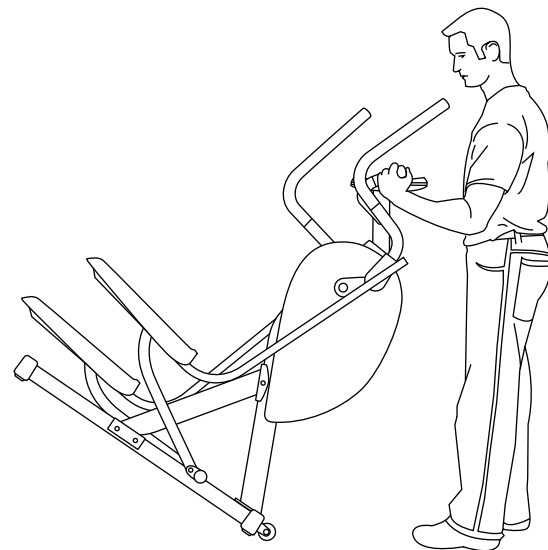
STEPPER OPERATION

POWER

Your stepper is powered by a power supply. The power must be plugged into the power jack, which is located in the front of the stepper near the **FRONT STABILIZER TUBE**.



Do not operate the stepper if the power cord or plug is damaged. If the stepper appears to not be working properly, do not use the stepper.



MOVING

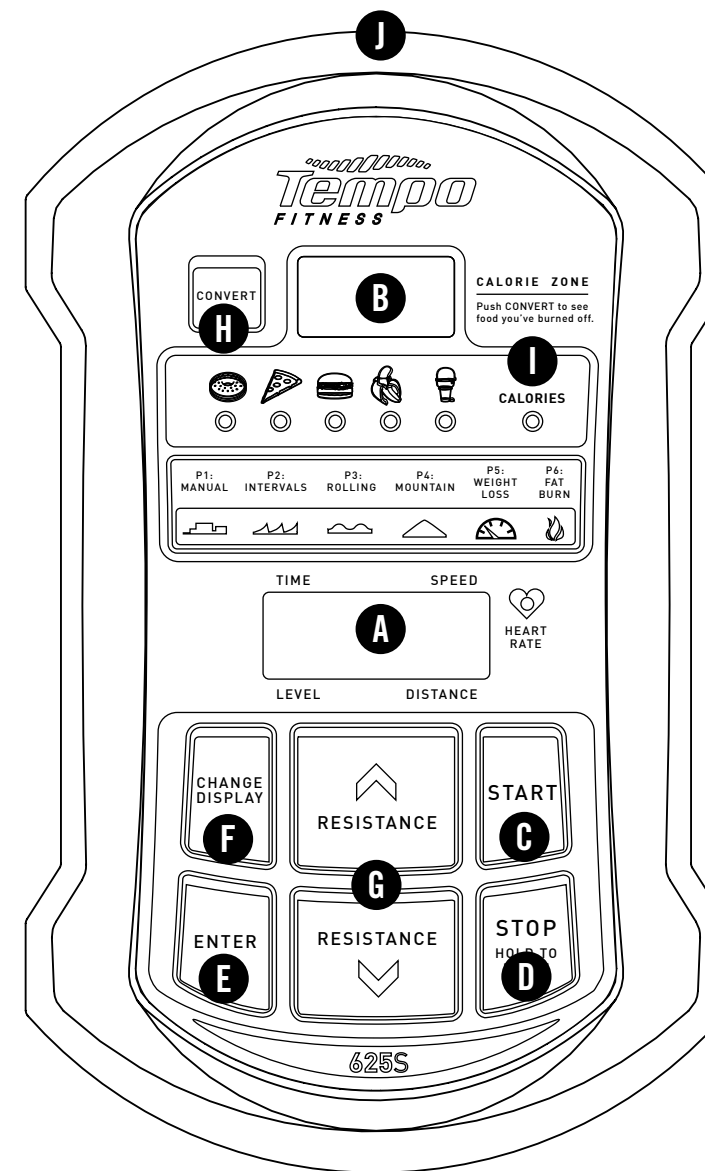
Your stepper has a pair of transport wheels built into the **FRONT STABILIZER TUBE**. To move, first remove the power supply and firmly grasp the **HANDLEBAR SET** from the front of the stepper, carefully tilt and roll.

NOTE: Do not grab the **CONSOLE** when moving the stepper, use the **HANDLEBAR SET**.



Our steppers are well built and heavy, weighing up to 200 lbs! Use care and additional help if necessary when moving.

HYBRID STEPPER CONSOLE



- NOTE:** There is a thin protective sheet of clear plastic on the overlay of the console that should be removed.
- A) WORKOUT DISPLAY:** Indicates exercise feedback. (time, speed, heart rate, level and distance)
NOTE: Speed is measured in MPH and distance is measured in miles.
 - B) CALORIE ZONE WINDOW:** Indicates how many of a specific food group you have burned off. Use the convert calories button to select the desired food group. (Example: 0.10 = 10% of food group burned off.)
 - C) START:** Press start to begin exercising, starts your workout, or resume exercising after pause.
 - D) STOP:** Press to pause/end your workout. Hold for 3 seconds to reset the stepper.
 - E) ENTER:** Used to choose program and set your workout.
 - F) CHANGE DISPLAY BUTTON:** Used to change display feedback during workout.
 - G) RESISTANCE + / - KEYS:** Used to adjust resistance in small increments.
 - H) CONVERT CALORIES BUTTON:** Used to select Calorie Zone food group.
 - I) CALORIE ZONE:** Used to see what type of food the amount of calories being burned are equal to.

HEART RATE

HANDLEBARS

Place the palm of your hands directly on the grip pulse handlebars. Both hands must grip the bars for your heart rate to register. It takes 5 consecutive heart beats (15-20 seconds) for your heart rate to register. When gripping the pulse handlebars, do not grip tightly. Holding the grips tightly may elevate your blood pressure. Keep a loose, cupping hold. You may experience an erratic readout if consistently holding the grip pulse handlebars. Make sure to clean the pulse sensors to ensure proper contact can be maintained.

IMPORTANT: The heart rate function on this product is not a medical device. While heart rate grips can provide a relative estimation of your actual heart rate, they should not be relied on when accurate readings are necessary. Some people, including those in a cardiac rehab program, may benefit from using an alternate heart rate monitoring system like a chest or wrist strap. Various factors, including movement of the user, may affect the accuracy of your heart rate reading. The heart rate reading is intended only as an exercise aid in determining heart rate trends in general. Please consult your physician.

CONDITIONING GUIDELINES

ALWAYS CONSULT YOUR PHYSICIAN BEFORE BEGINNING AN EXERCISE PROGRAM.

HOW OFTEN? (Frequency of Workouts)

The American Heart Association recommends that you exercise at least 3 to 4 days per week to maintain cardiovascular fitness. If you have other goals such as weight or fat loss, you will achieve your goal faster with more frequent exercise. Whether it's 3 days or 6 days, remember that your ultimate goal should be to make exercise a lifetime habit. Many people are successful staying with a fitness program if they set aside a specific time of day to exercise. It doesn't matter whether it's in the morning before breakfast, during lunch hour or while watching the evening news. What's more important is that it's a time that allows you to keep a schedule, and a time when you won't be interrupted. To be successful with your fitness program, you have to make it a priority in your life. So decide on a time, pull out your day planner and pencil in your exercise times for the next month!

HOW LONG? (Duration of Workouts)

For aerobic exercise benefits, it's recommended that you exercise from between 24 and 60 minutes per session. But start slowly and gradually increase your exercise times. If you've been sedentary during the past year, it may be a good idea to keep your exercise times to as little as five minutes initially. Your body will need time to adjust to the new activity. If your goal is weight loss, a longer exercise session at lower intensities has been found to be most effective. A workout time of 48 minutes or more is recommended for best weight loss results.

HOW HARD? (Intensity of Workouts)

How hard you workout is also determined by your goals. If you use your machine to prepare for a 5K workout, you will probably work out at a higher intensity than if your goal is general fitness. Regardless of your long term goals, always begin an exercise program at low intensity. Aerobic exercise does not have to be painful to be beneficial! There are two ways to measure your exercise intensity. The first is by monitoring your heart rate using the grip pulse handlebars and the second is by evaluating your perceived exertion level (this is simpler than it sounds!).

PERCEIVED EXERTION LEVEL

A simple way to gauge your exercise intensity is to evaluate your perceived exertion level. While exercising, if you are too winded to maintain a conversation without gasping, you are working out too hard. A good rule of thumb is to work to the point of exhilaration, not exhaustion. If you cannot catch your breath, it's time to slow down. Always be aware of these warning signs of overexertion.

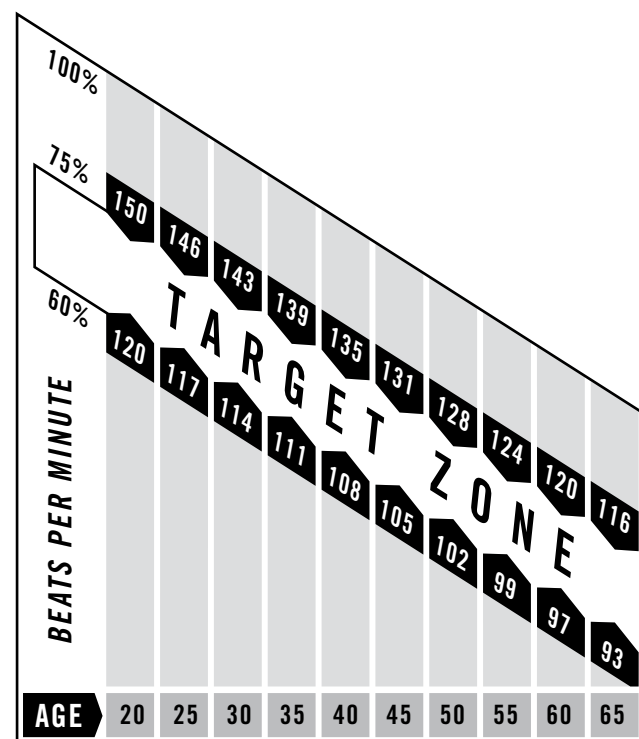
TARGET HEART RATE ZONE CHART

What is Target Heart Rate Zone?

Target Heart Rate Zone tells you the number of times per minute your heart needs to beat to achieve a desired workout effect. It is represented as a percentage of the maximum number of times your heart can beat per minute. Target Zone will vary for each individual, depending on age, current level of conditioning, and personal fitness goals. The American Heart Association recommends working-out at a Target Heart Rate Zone of between 60% and 75% of your maximum heart rate. A beginner will want to workout in the 60% range while a more experienced exerciser will want to workout in the 70-75% range. See chart for reference.

EXAMPLE:

For a 42-year-old user: Find age along the bottom of the chart (round to 40), follow age column up to the target zone bar. Results: 60% of maximum Hear Rate = 108 Beats Per Minute, 75% of maximum Heart Rate = 135 Beat Per Minute.

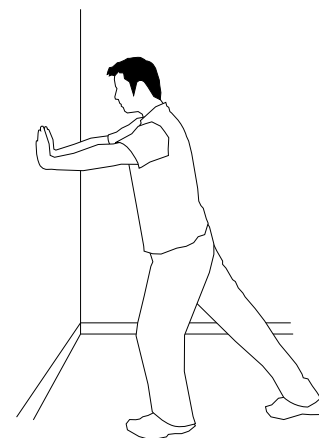


ALWAYS CONSULT YOUR PHYSICIAN BEFORE BEGINNING AN EXERCISE PROGRAM.

TIPS STRETCHING

STRETCH FIRST

Before using your product, it is best to take a few minutes to do a few gentle stretching exercises. Stretching prior to exercise will improve flexibility and reduce chances of exercise related injury. Ease into each of these stretches with a slow gentle motion. Do not stretch to the point of pain. Make sure not to bounce while doing these stretches.

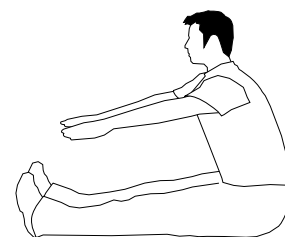
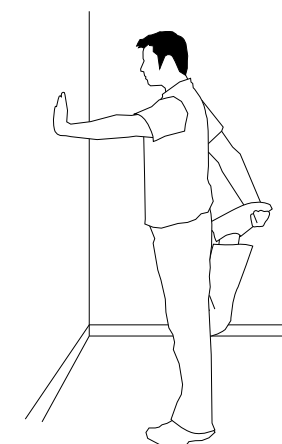


1. STANDING CALF MUSCLE STRETCH

Stand near a wall with the toes of your left foot about 18" from the wall, and the right foot about 12" behind the other foot. Lean forward, pushing against the wall with your palms. Keep your heels flat and hold this position for a count of 15 seconds. Make sure that you do not bounce while stretching. Repeat on the other

2. STANDING QUADRICEP STRETCH

Using a wall to provide balance, grasp your right ankle with your right hand and hold your foot against the back of your thigh for 15 seconds. Repeat with your left ankle and hand.



3. SITTING HAMSTRING & LOWER BACK MUSCLE STRETCH

Sit on the floor with your legs together and straight out in front of you. Do not lock your knees. Extend your fingers towards your toes and hold for a count of 15 seconds. Make sure that you do not bounce while stretching. Sit upright again. Repeat one time.

TIPS **THE IMPORTANCE OF A WARM-UP & COOL DOWN****WARM UP**

The first 2 to 5 minutes of a workout should be devoted to warming up. The warm-up will limber your muscles and prepare them for more strenuous exercise. Make sure that you warm-up on your product at a slow pace. The warm up should gradually bring your heart rate into your Target Heart Rate Zone.

COOL DOWN

Never stop exercising suddenly! A cool-down period of 3-5 minutes allows your heart to readjust to the decreased demand. Make sure that your cool down period consists of a very slow pace to allow your heart rate to lower. After the cool-down, repeat the stretching exercises listed above to loosen and relax your muscles.

TIPS **ACHIEVING YOUR FITNESS GOALS**

An important step in developing a long-term fitness program is to determine your goals. Is your primary goal for exercising to lose weight? Improve muscle? Reduce stress? Prepare for the spring racing schedule? Knowing what your goals are will help you develop a more successful exercise program. Below are some common exercise goals:

- Weight Loss - lower intensity, longer duration workouts
- Improve Body Shape and Tone - interval workouts, alternate between hi and low intensities
- Increased Energy Level - more frequent daily workouts
- Improved Sports Performance - high intensity workouts
- Improved Cardiovascular Endurance - moderate intensity, longer duration workouts

If possible try to define your personal goals in precise, measurable terms, and then put your goals in writing. The more specific you can be, the easier it will be to track your progress. If your goals are long term, divide them up into monthly and weekly segments. Longer term goals can lose some of the immediate motivation benefits. Short-term goals are easier to achieve. Your console provides you with several readouts that can be used to record your progress. You can track distance, calories or time.

KEEPING AN EXERCISE DIARY

To make your personal exercise log book, photocopy the weekly and monthly log sheets, which are located on the following pages, or you can print them off of your computer by going to:

www.tempo-fitness.com/guides/weeklylog.pdf

www.tempo-fitness.com/guides/monthlylog.pdf

As your fitness improves, you can look back and see how far you've come!

WEEKLY LOG SHEETS

| WEEK # | | WEEKLY GOAL | | | |
|------------------------|------|-------------|----------|------|----------|
| DAY | DATE | DISTANCE | CALORIES | TIME | COMMENTS |
| SUNDAY | | | | | |
| MONDAY | | | | | |
| TUESDAY | | | | | |
| WEDNESDAY | | | | | |
| THURSDAY | | | | | |
| FRIDAY | | | | | |
| SATURDAY | | | | | |
| WEEKLY TOTALS : | | | | | |

| WEEK # | | WEEKLY GOAL | | | |
|------------------------|------|-------------|----------|------|----------|
| DAY | DATE | DISTANCE | CALORIES | TIME | COMMENTS |
| SUNDAY | | | | | |
| MONDAY | | | | | |
| TUESDAY | | | | | |
| WEDNESDAY | | | | | |
| THURSDAY | | | | | |
| FRIDAY | | | | | |
| SATURDAY | | | | | |
| WEEKLY TOTALS : | | | | | |

| WEEK # | | WEEKLY GOAL | | | |
|------------------------|------|-------------|----------|------|----------|
| DAY | DATE | DISTANCE | CALORIES | TIME | COMMENTS |
| SUNDAY | | | | | |
| MONDAY | | | | | |
| TUESDAY | | | | | |
| WEDNESDAY | | | | | |
| THURSDAY | | | | | |
| FRIDAY | | | | | |
| SATURDAY | | | | | |
| WEEKLY TOTALS : | | | | | |

MONTHLY LOG SHEETS

| MONTH _____ | MONTHLY GOAL _____ | | |
|-------------------------|--------------------|----------|------|
| WEEK # | DISTANCE | CALORIES | TIME |
| | | | |
| | | | |
| | | | |
| | | | |
| | | | |
| | | | |
| MONTHLY TOTALS : | | | |

| MONTH _____ | MONTHLY GOAL _____ | | |
|-------------------------|--------------------|----------|------|
| WEEK # | DISTANCE | CALORIES | TIME |
| | | | |
| | | | |
| | | | |
| | | | |
| | | | |
| | | | |
| | | | |
| MONTHLY TOTALS : | | | |

| MONTH _____ | MONTHLY GOAL _____ | | |
|-------------------------|--------------------|----------|------|
| WEEK # | DISTANCE | CALORIES | TIME |
| | | | |
| | | | |
| | | | |
| | | | |
| | | | |
| | | | |
| | | | |
| MONTHLY TOTALS : | | | |

TROUBLESHOOTING

Your Tempo Fitness hybrid stepper is designed to be reliable. However, if you do experience problems with your stepper, please reference the troubleshooting guide listed below.

PROBLEM: The console does not turn on.

SOLUTION: Verify the following:

- The outlet the machine is plugged into is functional. Double check that the breaker has not tripped.
- The correct adapter is being used. Only use the adapter provided or authorized by Tempo Fitness.
- The adapter is not pinched or damaged and is properly plugged into the outlet and the machine.
- The power switch is turned to the **ON** position (may not apply to all models).
- Unplug the power cord. Remove the console and check that all connections to the console are secure and not damaged or pinched.

PROBLEM: The console lights up but the time/RPM's do not count.

SOLUTION: Verify the following:

- Unplug the power cord. Remove the console and check that all connections to the console are secure and not damaged or pinched.
- If doing the above does not fix the problem, the speed sensor and/or magnet may have become dislodged or damaged.

PROBLEM: The resistance levels seem to be incorrect, seeming too hard or too easy.

SOLUTION: Verify the following:

- The correct adapter is being used. Only use the adapter provided or authorized by Tempo Fitness.
- Reset the console and allow the resistance to reset to the default position. Restart and retry the resistance levels.

HEART RATE TROUBLESHOOTING

PROBLEM: There is no heart rate reading.

SOLUTION: Remove the console and verify that the heart rate cables are attached properly, making sure that the cables are securely inserted into the console.

Check your exercise environment for sources of interference such as high power lines, large motors, etc.

YOU MAY EXPERIENCE AN ERRATIC READOUT UNDER THE FOLLOWING CONDITIONS:

- Gripping the heart rate handlebars too tight. Try to maintain moderate pressure while holding onto the heart rate handlebars.
- Constant movement and vibration due to constantly holding the heart rate grips while exercising.
- When you are breathing heavily during a workout.
- When your hands are constricted by wearing a ring.
- When your hands are dry or cold. Try moistening your palms or rubbing them together to warm.
- Anyone with heavy arrhythmia.
- Anyone with arteriosclerosis or peripheral circulation disorder.
- Anyone whose skin on the measuring palms is especially thick.
- Low light environments can also affect proper readings.

NOTE: Outside interference sources such as computers, motors and fluorescent lights may cause the heart rate reading to be erratic.

If the above troubleshooting section does not remedy the problem, discontinue use and turn the power off.

CALL CUSTOMER TECH SUPPORT AT THE NUMBER ON THE BACK PANEL WHEN YOU ARE NEAR THE EQUIPMENT

The following information may be asked of you when you call. Please have these items readily available:

- Model Name
- Serial Number
- Date of Purchase (receipt or credit card statement)

In order for Customer Tech Support to service your stepper, they may need to ask detailed questions about the symptoms that are occurring. Some troubleshooting questions that may be asked are:

- How long has this problem been occurring?
- Does this problem occur with every use? With every user?
- If you are hearing a noise, does it come from the front, back or inside? What kind of noise is it (thumping, grinding, squeaking, chirping etc.)?
- If you are having a resistance problem what is occurring? Is the resistance always too hard or too easy? Does the resistance respond when pushing the buttons on the console? Does the resistance constantly cycle through the levels during the workout?
- Has the machine been maintained per the maintenance schedule?
- Does the problem occur when using the handlebars? Without using the handlebars?

Answering these and other questions will give the technicians the ability to send proper replacement parts and the service necessary to get you and your Tempo Fitness hybrid stepper running again!

COMMON PRODUCT QUESTIONS

ARE THE SOUNDS MY STEPPER MAKES NORMAL?

Our steppers are some of the quietest available because they use belt drives and friction free magnetic resistance. We use the highest grade bearings and belts to minimize noise. However, because the resistance system itself is so quiet, you will occasionally hear other slight mechanical noises. Unlike older, louder technologies, there are no fans, friction belts, or alternator noises to mask these sounds on our steppers. These mechanical noises, which may or may not be intermittent, are normal and are caused by the transfer of significant amounts of energy to a rapidly spinning flywheel. All bearings, belts and other rotating parts will generate some noise which will transmit through the casing and frame. It is also normal for these sounds to change slightly during a workout and over time because of thermal expansion of the parts.

WHY IS THE STEPPER I HAD DELIVERED LOUDER THAN THE ONE AT THE STORE?

All fitness products seem quieter in a large store showroom because there is generally more background noise than in your home. Also, there will be less reverberation on a carpeted concrete floor than on a wood overlay floor. Sometimes a heavy rubber mat will help reduce reverberation through the floor. If a fitness product is placed close to a wall, there will be more reflected noise.

HOW LONG WILL THE DRIVE BELT LAST?

The computer modeling we have done indicated virtually thousands of maintenance free hours. Belts are now commonly used in far more demanding applications such as motorcycle drives.

CAN I MOVE THE STEPPER EASILY ONCE IT IS ASSEMBLED?

Your stepper has a pair of transport wheels built into the front stabilizer bar. It is easy to move your stepper by rolling it on the front transport wheels. It is important that you place your stepper in a comfortable and inviting room. Your stepper is designed to use minimal floor space. Many people will place their steppers facing the TV or a picture window. If at all possible, avoid putting your stepper in a unfinished basement. To make exercise a desirable daily activity for you, the stepper should be in a comfortable setting.

MAINTENANCE

WHAT KIND OF ROUTINE MAINTENANCE IS REQUIRED?

We use sealed bearings throughout our steppers so lubrication is not needed. The most important maintenance step is to simply wipe your perspiration off the stepper after each use.

HOW DO I CLEAN MY STEPPER?

Clean with soap and water cleaners only. Never use solvents on plastic parts.

Cleanliness of your stepper and its operating environment will keep maintenance problems and service calls to a minimum. For this reason, Tempo Fitness recommends that the following preventive maintenance schedule be followed.

AFTER EACH USE (DAILY)

Turn off the stepper by unplugging the power cord from the wall outlet

- Wipe down the stepper with a damp cloth. Never use solvents, as they can cause damage to the stepper.
- Inspect the power cord. If the power cord is damaged, contact Tempo Fitness.
- Make sure the power cord is not underneath the stepper or in any other area where it can become pinched or cut.



To remove power from the stepper, the power cord must be disconnected from the wall outlet.

WEEKLY

Clean underneath the stepper, following these steps:

- Turn off the stepper
- Move the stepper to a remote location.
- Wipe or vacuum any dust particles or other objects that may have accumulated underneath the stepper.
- Return the stepper to its previous position.

EVERY MONTH

- Inspect all assembly bolts and pedals on the machine for proper tightness.
- Clean any debris off of the pedal arm wheels and guide rails.

LIMITED HOME-USE WARRANTY

WEIGHT CAPACITY = 250 lbs

FRAME • 10 YEAR

Tempo Fitness warrants the frame against defects in workmanship and materials for a period of 10 years from the date of original purchase, so long as the device remains in the possession of the original owner.

BRAKE • 3 YEAR

Tempo Fitness warrants the brake against defects in workmanship and materials for a period of 3 years from the date of original purchase, so long as the device remains in the possession of the original owner.

ELECTRONICS & PARTS • 1 YEAR

Tempo Fitness warrants the electronic components and all original parts for a period of 1 year from the date of original purchase, so long as the device remains in the possession of the original owner.

LABOR • 90 DAY

Tempo Fitness shall cover the labor cost for the repair of the device for a period of 90 days from the date of the original purchase, so long as the device remains in the possession of the original owner.

EXCLUSIONS AND LIMITATIONS

Who is covered:

- The original owner and is not transferable.

What IS covered:

- Repair or replacement of a defective motor, electronic component, or defective part and is the sole remedy of the warranty.

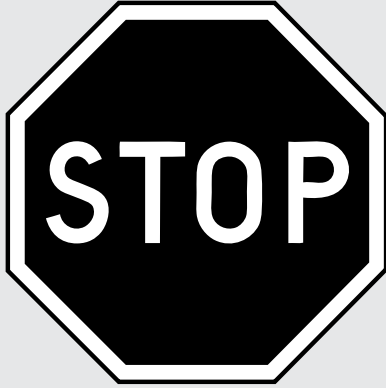
What IS NOT covered:

- Normal wear and tear, improper assembly or maintenance, or installation of parts or accessories not originally intended or compatible with the equipment as sold.
- Damage or failure due to accident, abuse, corrosion, discoloration of paint or plastic, neglect, theft, vandalism, fire, flood, wind, lightning, freezing, or other natural disasters of any kind, power reduction, fluctuation or failure from whatever cause, unusual atmospheric conditions, collision, introduction of foreign objects into the covered unit, or modifications that are unauthorized or not recommended by Tempo Fitness.
- Incidental or consequential damages. Tempo Fitness is not responsible or liable for indirect, special or consequential damages, economic loss, loss of property, or profits, loss of enjoyment or use, or other consequential damages of whatsoever nature in connection with the purchase, use, repair or maintenance of the product.
- Equipment used for commercial purposes or any use other than a single family or Household, unless endorsed by Tempo Fitness for coverage.
- Equipment owner or operated outside the US and Canada.
- Delivery, assembly, installation, setup for original or replacement units or labor or other costs associated with removal or replacement of the covered unit.
- Any attempt to repair this equipment creates a risk of injury. Tempo Fitness is not responsible or liable for any damage, loss or liability arising from any personal injury incurred during the course of, or as a result of any repair or attempted repair of your fitness equipment by other than an authorized service technician. All repairs attempted by you on your fitness equipment are undertaken AT YOUR OWN RISK and Tempo Fitness shall have no liability for any injury to the person or property arising from such repairs.

SERVICE AND RETURNS

- In-home service is available only within 150 miles of the nearest authorized repair center.
- All returns must be pre-authorized by Tempo Fitness.
- Tempo Fitness' obligation under this warranty is limited to replacing or repairing, at Tempo Fitness' option, the product at one of its authorized service centers.
- A Tempo Fitness authorized service center must receive all products for which a warranty claim is made. These products must be received with all freight and other transportation charges prepaid, accompanied by sufficient proof of purchase.
- Parts and electronic components reconditioned to As New Condition by Tempo Fitness or its vendors may sometimes be supplied as warranty replacement parts and constitute fulfillment of warranty terms.
- This warranty gives you specific legal rights, and your rights may vary from state to state.

CUSTOMER TECH SUPPORT



DO NOT RETURN TO THE RETAILER
*if you have any problems during
assembly or if parts are missing.*

*For fast and friendly service, please contact one of our
trained customer technicians via phone, email or our website.*

*Customer Tech Support Hotline: **1-866-998-3676**
Email: **comments@tempo-fitness.com**
Website: **www.tempo-fitness.com***

*Every employee at Tempo Fitness takes pride in providing you with a high quality product.
We want to know if you have a problem and we want to have an opportunity to correct it for you.*

NOTE: *Please read the TROUBLESHOOTING section before contacting Customer Tech Support.
To receive additional product information, visit us at www.tempo-fitness.com*


Tempo
FITNESS

1620 Landmark Dr,
Cottage Grove, WI 53527
Tel: 1.866.998.3676